

THE STEALTH SHOVEL® & STEALTH XL MOUNTS INSTRUCTIONS



**Note: Although there are variations in dimensions, hole placement, and backing plates, the procedure is the same for both shovel mounts.*

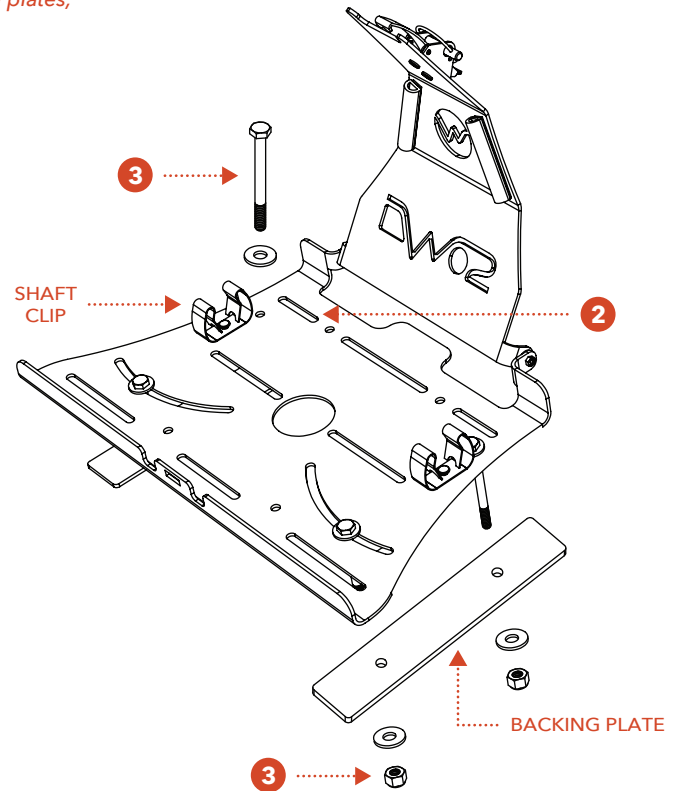
CONTENTS

The mount comes with:

- 4 each of .25"-20 x 2.75" hex bolts
- 8 each of .25" flat washers
- 4 each of .25"-20 nylon locking hex nuts
- 2 - 8.5" x 1.5" backing plates (**Stealth Mount only**)
- 2 - 13" x 1.5" backing plates (**Stealth XL Mount only**)
- 1 linchpin

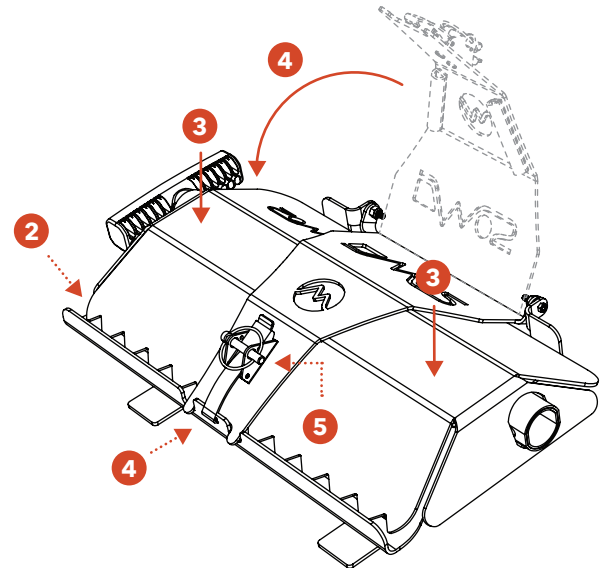
INSTALLATION

1. Place your mount on your roof rack, metal MOLLE panel, or spare tire mount.
2. Using the pre-drilled slots or holes on the mount, determine attachment points on any bar or rack up to 2" diameter.
3. Insert a hex bolt and flat washer through selected pre-drilled slot, then through the rack. Secure mount with backing plate (if using), flat washer and locking hex nut. Leave locking hex nuts loose until all bolts are positioned.
4. Repeat with remaining hex bolts until mount is in desired position and secured. Fully tighten all locking hex nuts.



SECURING YOUR STEALTH SHOVEL IN THE MOUNT

1. Collapse your Stealth Shovel into stow mode (see **The Stealth Shovel®** instructions).
2. With the shovel teeth facing away from the lid hinge, place the shovel shaft over the shaft clips.
3. Press down on the shovel until shaft snaps into shaft clips.
4. Close the mount door and secure the mount latch. Insert linchpin.
5. For added security, replace the linchpin with a lock of your choice.



LOVE YOUR DMOS® PRODUCT? DON'T KEEP IT A SECRET - LEAVE A REVIEW!